

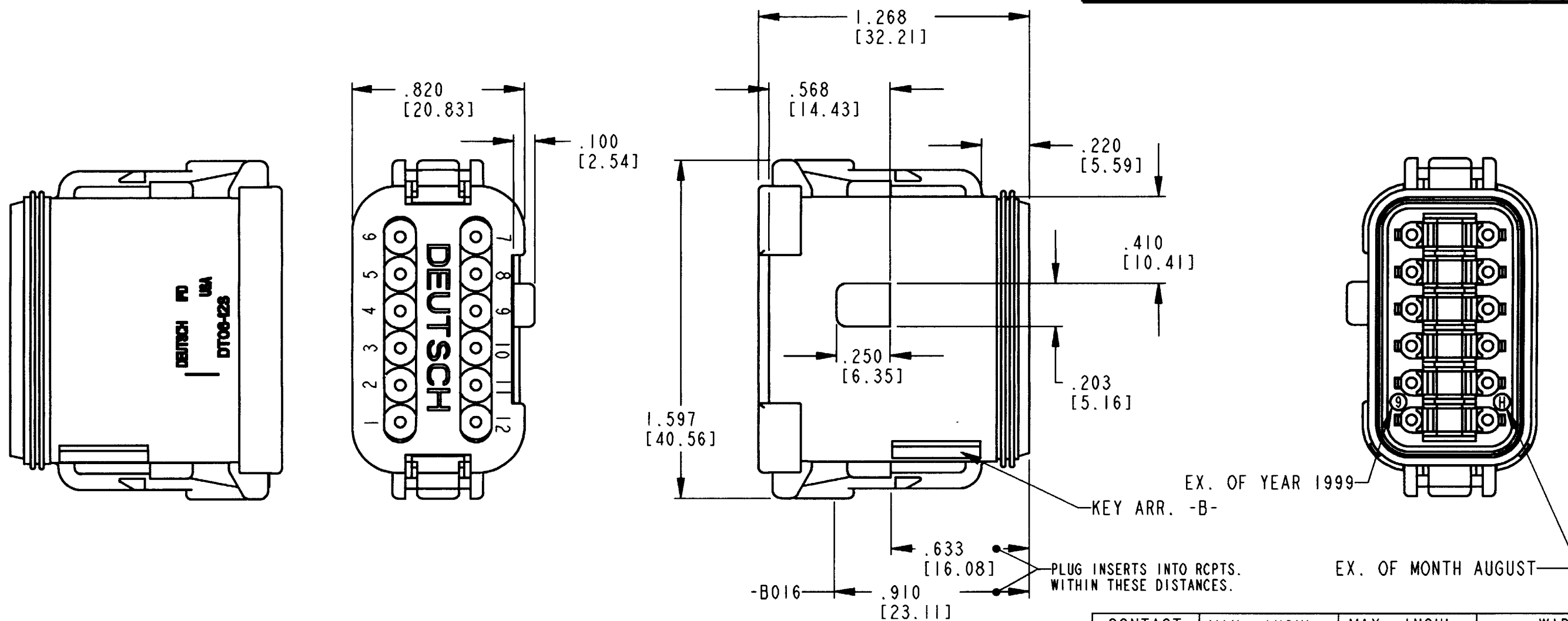
DATE LEGEND

YEAR IS REPRESENTED BY LAST NUMERICAL DIGIT
MONTH USES SEQUENTIAL ALPHA CHARACTERS, EX: A=JANUARY...

REV
C DT06-12SB-EP06

REVISIONS

SYM	DESCRIPTION	DATE	APPROVED
NC	NEW RELEASE PER. E.O. P15089	7/10/96	RDR
A	REVISED PER E.O. P15115	8/15/96	RDR
B	REVISED PER E.O. P15409	9/16/97	RDR
C	REVISED PER E.O. P15827	12-31-98	RDR



CONTACT SIZE	MIN. INSUL. O.D.	MAX. INSUL. O.D.	WIRE RANGE
16	.088 [2.23]	.145 [3.68]	14-18 AWG [2.0-0.75mm ²]

- NOTES:
1. ALL DIMENSIONS ARE IN INCHES [METRIC].
 2. ALL DIMENSIONS ARE ±.025[.63].
 3. CONSULT FACTORY FOR CONTACT SPECIFICATION AND APPLICATION.
 4. FOR MORE INFO SEE ENVELOPE DWG. 0425-017-0000 AND 0425-015-0000.
 5. THIS PLUG MATES WITH DT04-12PB-E005, DT13-12PB, DT15-12PB, DT13-12PB-B016, DT15-12PB-B016, RECEPTACLE.
 6. W12-P012 WEDGE LOCK SOLD SEPARATELY.

SIGNATURE & DATE	
DR	S. THEIS 8/27/97
CHK	<i>S. Theis</i> 12-31-98
PE	<i>S. Theis</i> 12-31-98
APPD	<i>R. Road</i> 12-31-98
SCALE	NONE WT

12 WAY PLUG
-EP06 MOD.
KEY ARR. -B-
COLOR: BLACK
D.T. SERIES

ENVELOPE

CP	MATL. CODE
The Deutsch Company DEUTSCH I.P.D. 3850 INDUSTRIAL AVE. HEMET, CALIF. 92545	
B	DT06-12SB-EP06
DWG SIZE	CODE 11139 SHEET 1 OF 1